

Assembly, Operating & Maintenance Instructions

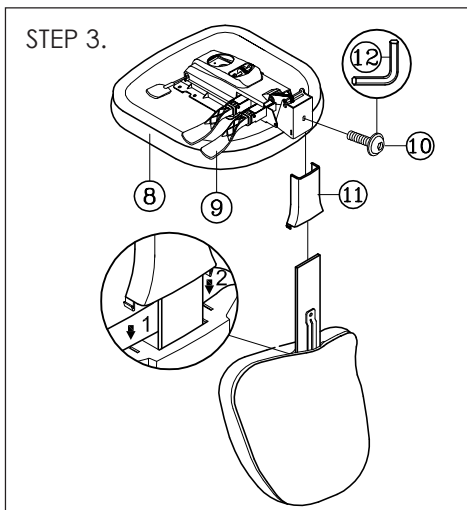
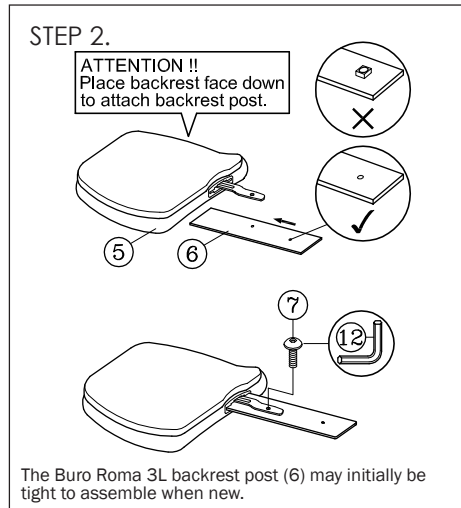
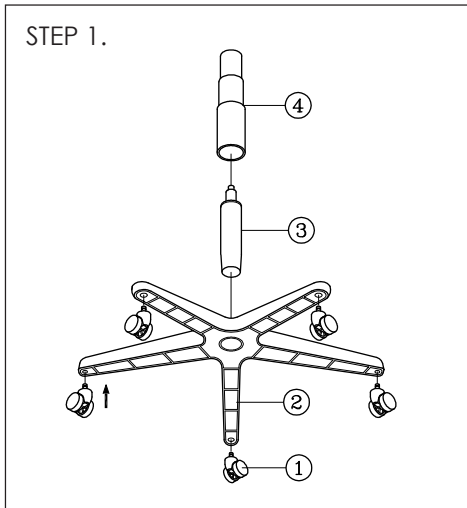
Remove all items from the carton. Verify all pieces before assembly.

buroseating

BURO ROMA 3 LEVER HB - SAFETEX

PART LIST

KEY	QTY	DESCRIPTION
1	5	Castors
2	1	Base
3	1	Gas Lift
4	1	Gas Lift Cover
5	1	Backrest
6	1	Backrest Post
7	1	Backrest Post Screw
8	1	Seat
9	1	Mechanism
10	1	Backrest Tight Bolt
11	1	Backrest Post Bellow
12	1	M5 Size Allen Wrench



CARE & MAINTENANCE

GENERAL CARE

To maintain the appearance of non-upholstered parts wipe the surface with a clean cloth dampened with a mild detergent solution.

Do not remove any parts for separate cleaning.

Do not saturate the fabric or interior with water or other cleaning liquids.

Do not shampoo clean.

Do not clean with hot water extraction machine.

Do not clean with onsite drycleaning machine.

Protect from direct sunlight, heat and weather.

FABRIC UPHOLSTERY CARE

Spot clean with upholstery shampoo, foam from a mild detergent, or mild dry cleaning solvent. Pretest a small, inconspicuous area before proceeding. Do not saturate. Pile fabrics may require brushing with a non-metallic, stiff bristle brush to restore appearance. Hot water extraction of steam cleaning is not a recommended cleaning method. Cushions casings should not be removed and laundered or dry cleaned. To prevent overall soiling, frequent vacuuming or light brushing with a non-metallic, stiff bristle brush to remove dust and grime is recommended. When cleaning a spill, blot immediately to remove spilled material. Clean spots or stains from the outside to the middle of affected area to prevent circling. Use a professional furniture cleaning service when an overall soiled condition has been reached.

FOAM & UPHOLSTERY SPECS*

FOAM: Flame Resistance: Ca117 Section A Part I & Section D Part II

UPHOLSTERY: Flame Resistance Ca117 Section E Class I

*This applies only to standard Buro stock. Any customer specified upholstery may not meet these specifications.

OPERATING INSTRUCTIONS!

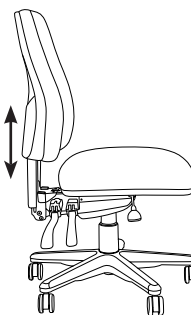
RECOMMENDED SEATING POSITION & ADJUSTMENTS:

- Sit in the chair, adjust the seat tilt so that it is approximately horizontal or inclined slightly forward, to allow an angle greater than 90° at the knees and the hips.
- Adjust the seat height so that your feet are resting flat on the floor. For good circulation, your lower legs should form a 90° angle with the floor, with your feet taking the weight of your legs.
- Adjust the backrest tilt function accordingly, to give your back firm support while sitting upright.
- Adjust the height of the backrest to give support to the lumbar region of your back.
- Your forearms should be close to horizontal as possible when working at a desk.

BACKREST INSTRUCTIONS:

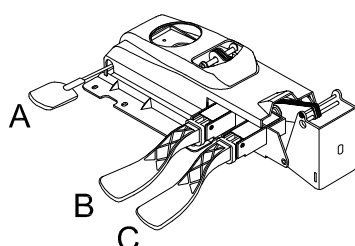
The backrest (5) height adjustment operation, may initially be tight to raise and lower when new. This is normal and a standard factory tolerance setting.

To achieve smooth operation raise and lower the backrest multiple times before using the chair.



MECHANISM OPERATING INSTRUCTIONS

IMPORTANT NOTE: Do not operate the mechanism levers unless properly seated in the chair.



- A** Pneumatic seat height adjustment
- B** **Seat angle adjustment:**
Seat angle adjusts independently with a single lever.
- C** **Backrest angle adjustment:**
Back angle adjusts independently with a single lever.

PREVENTATIVE MAINTENANCE & WARNING!

- Use this product only for seating one person at a time.
- Do not use this chair as a step stool/ladder.
- Do not sit on any part of the chair except the seat.
- Do not use this chair on uneven floor surfaces.
- Do not interfere with the operating of the gas lift.
- Do not use chair unless all bolts, screws and knobs are tight. At least every six months check all bolts, screws and knobs to ensure they are tight.
- If any parts are missing, broken, damaged or worn do not use the product until repairs are made using factory authorised parts.
- Dispose of packaging properly.
- Plastic bag is not a toy.
- Do not use plastic bag as a head covering as it may cause suffocation.
- Failure to follow these warnings could result in serious injury.