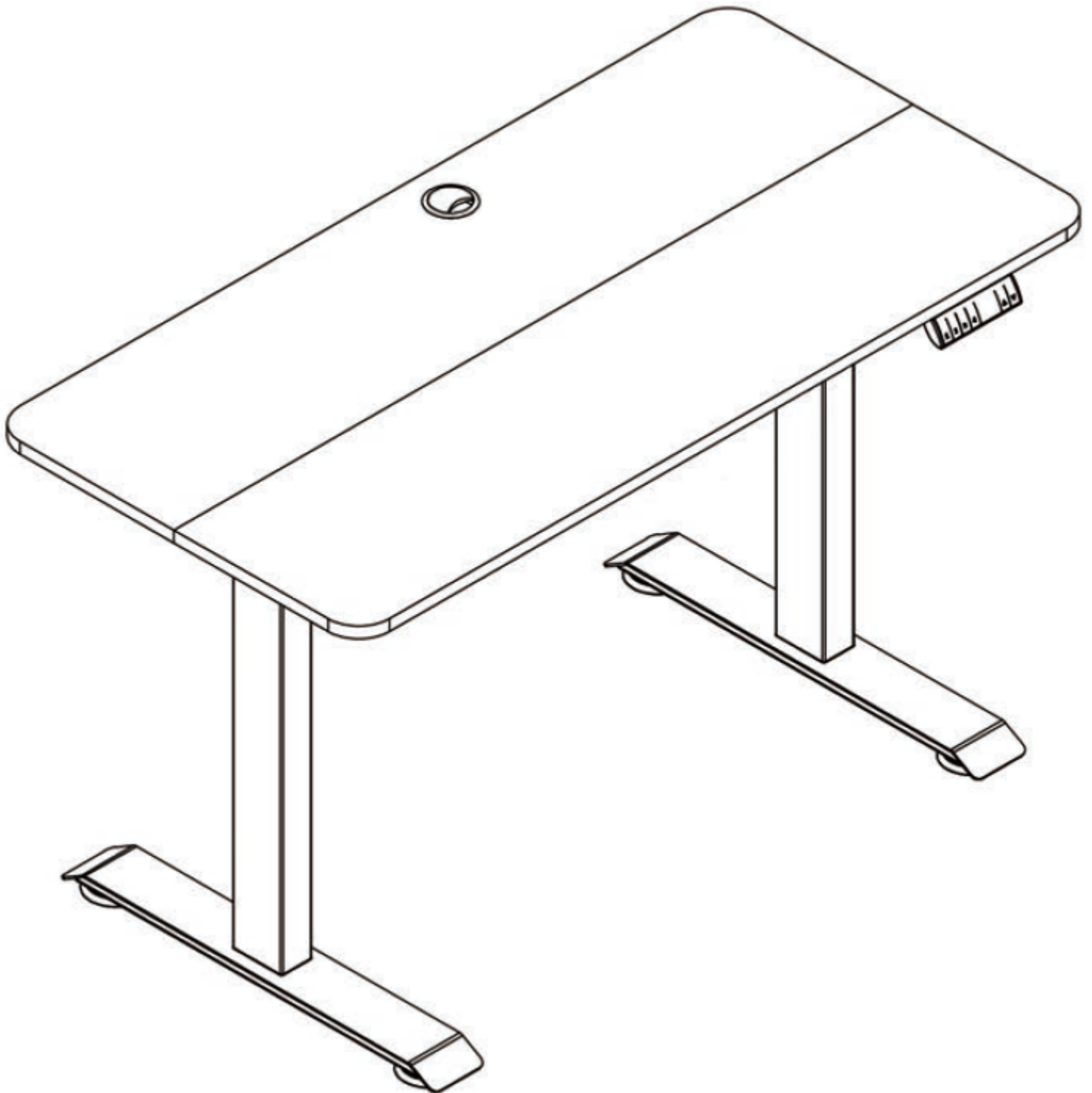


mondo

Assembly, Operating & Maintenance Instructions

MONDO LYPTA SIT STAND DESK



PREVENTATIVE MAINTENANCE & WARNING!

This product complies with the prescribed safety regulations, misuse may cause damage to persons and product.

Assemble on a clean, flat surface.

Only use included tools to assemble the table.

Do not climb, sit or stand on this table.

Do not crawl, lie or move under this table.

Children under 12 should only use the table when supervised.

Do not place objects on the table when in motion.

Do not use this table on an uneven floor surface.

Do not use table unless all bolts, screws and brackets are tight. At least every three months check all bolts, screws and brackets to ensure they are tight.

Distribute weight evenly across the table.

Do not place heavy objects on the table.

Do not place any objects higher than 70cm under the table.

Place the table a safe distance from windows frames, furniture and other objects.

Ensure no cables get jammed or pinched when the table is moving.

The table is to only be used with the power supply unit provided. The use of any other power supply unit could cause the table to malfunction and could result in serious injury to the user.

If any parts are missing, broken, damaged or worn do not use the product until repairs are made using factory authorised parts.

Dispose of packaging properly.

Plastic bags used for packaging are not toys.

Do not use plastic bag as a head covering as it may cause suffocation.

Failure to follow these warnings noted above could result in serious injury.

CARE & MAINTENANCE

GENERAL CARE

To maintain the appearance of the table, wipe the surface with a clean cloth dampened with a mild detergent solution.

Do not remove any parts for separate cleaning.

Do not saturate the table with water or other cleaning liquids.

Do not place the table in a humid environment.

Protect from direct sunlight, heat and weather.

GUARANTEE

TERMS AND CONDITIONS

Buro Seating LP offers a 5 year guarantee (commencing from the date of purchase) to the original purchaser against faulty manufacture. This excludes fair wear and tear.

The guarantee is subject to the table being used for its designed purpose in normal office or home office conditions, a single-shift duration i.e., 40 hours per week. This includes acknowledging and adhering to Preventative Maintenance and Safety Warnings and Care and Maintenance guidelines above.

If the Buro product has been used outside Buro approved usage including weight limits, then the guarantee would be void.

If you would like to make a claim under the Buro Guarantee, please direct your enquiry to the Buro reseller you purchased your chair from. They will assess your product and where appropriate will contact Buro Seating to determine how your claim should be completed. Buro Seating staff will advise if the problem can be repaired on site or if the goods must be returned to Buro Seating for repair. Return to Base freight cost (from the Reseller to Buro) will be paid by Buro Seating provided Buro Seating have given authority for the product return or have accepted the guarantee claim.

CLAIM REQUIREMENTS

You must be able to:

Prove you are the original purchaser

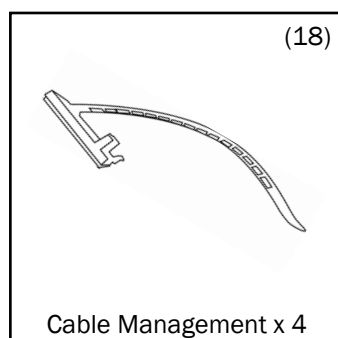
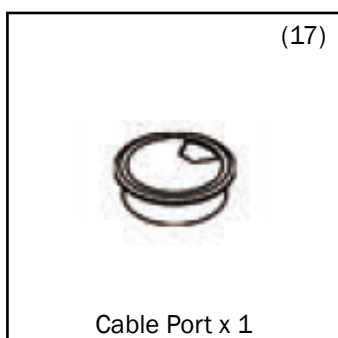
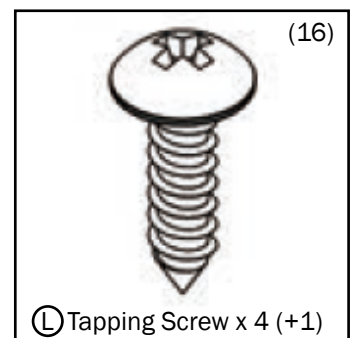
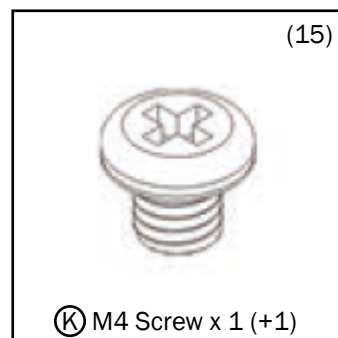
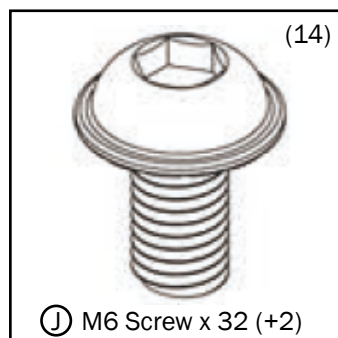
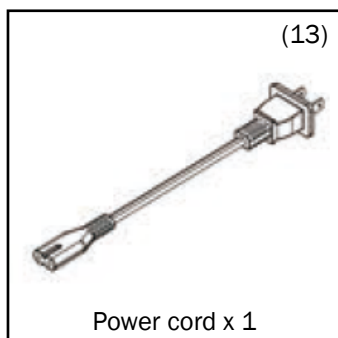
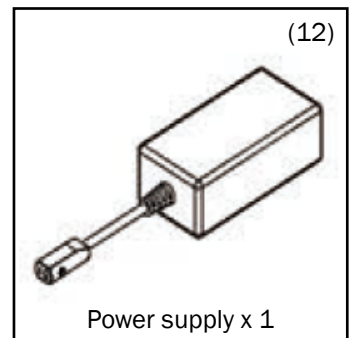
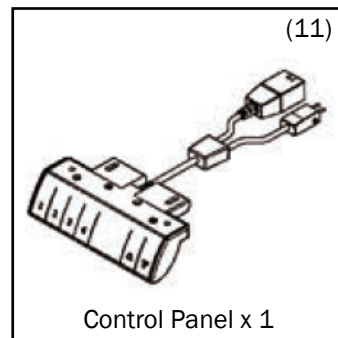
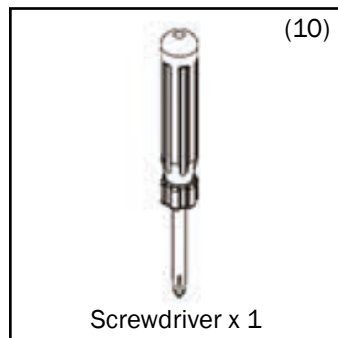
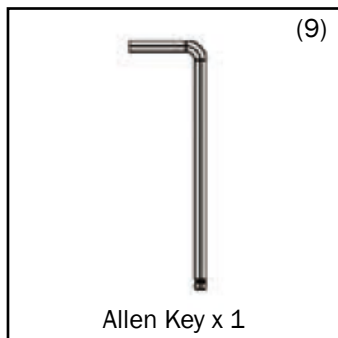
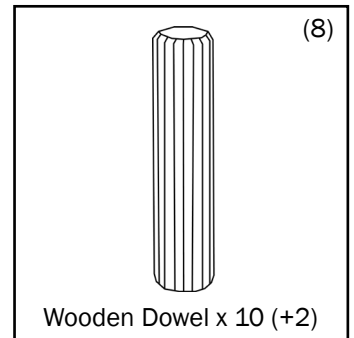
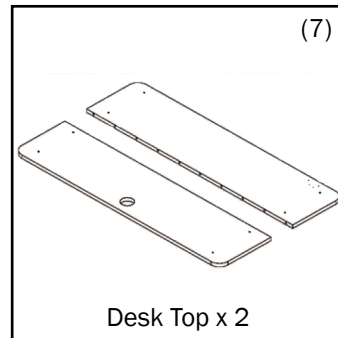
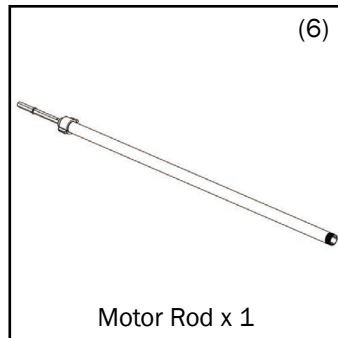
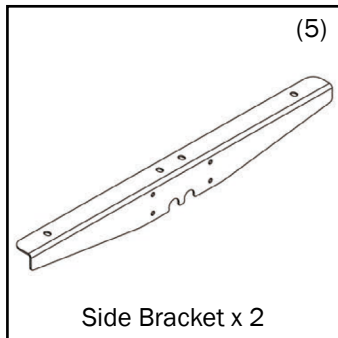
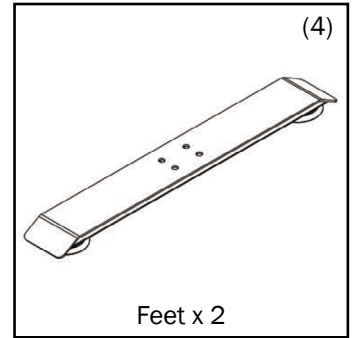
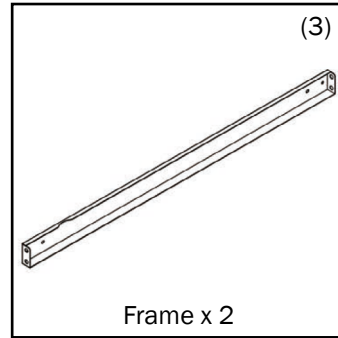
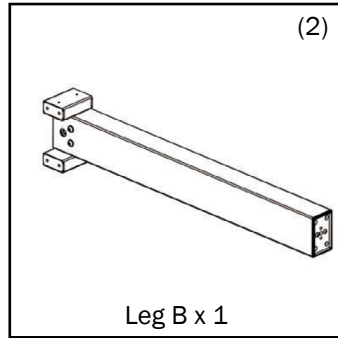
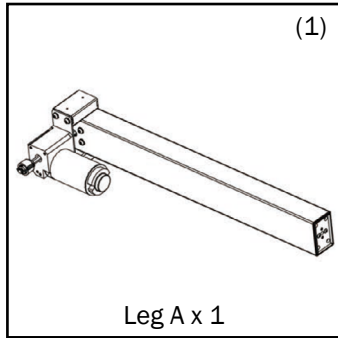
Provide proof of purchase from an authorised Buro reseller (original receipt)

Prove that the damage/failure is not through misuse or neglect.

To log your Guarantee Claim, please contact your Buro Seating Reseller.

NEW ZEALAND	AUSTRALIA
3 Donner Place	9/30 Florence Street
Mount Wellington	Teneriffe
Auckland 1060	Brisbane QLD 4006

PART LIST



Notes:

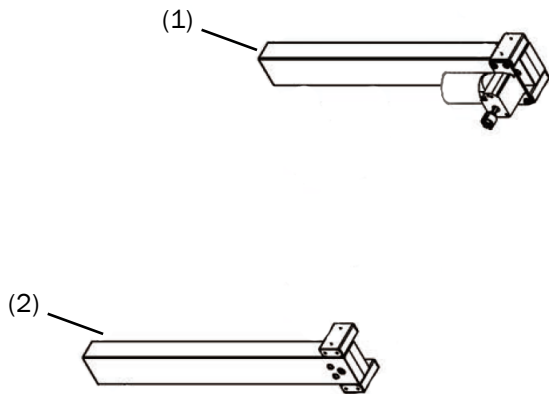
Remove all items from the carton. Verify all pieces before assembly.

Assemble desk on a clean, flat and soft surface.

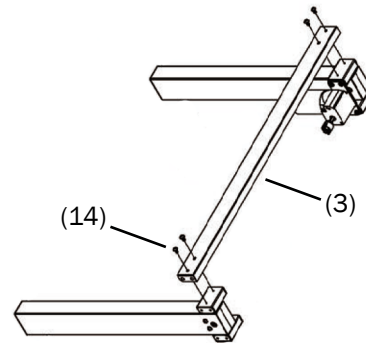
Only use included tools for assembly.

STEP 1.

Lay Leg A (1) and Leg B (2) down with the inside of the legs facing each other.



Lay one of the frames (3) on top of the Legs and line up the holes. Using the Allen Key (9), loosely fasten the pieces together with 4 M6 Screws (14).
*Note: Do not tighten screws until the frame is upright

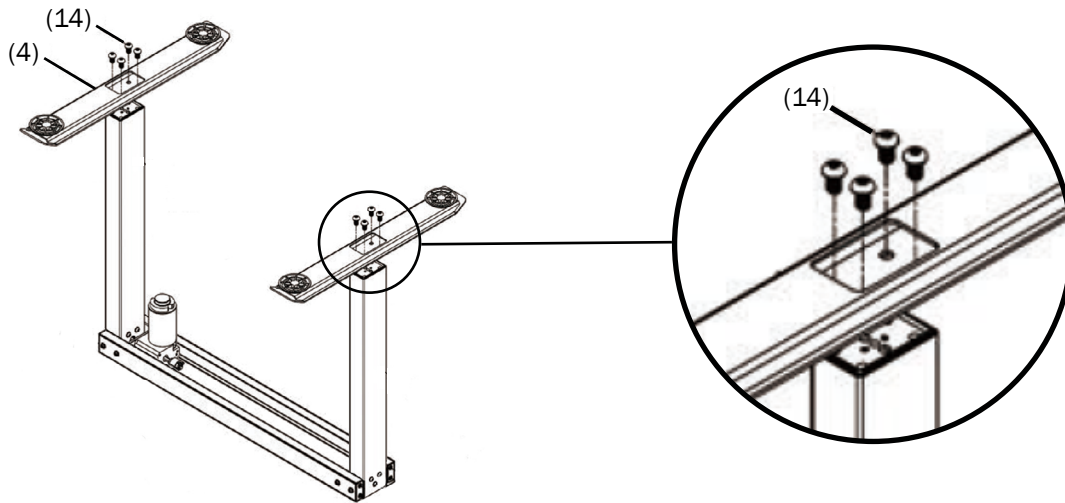


Holding both legs, carefully flip the base onto the other side and repeat with the other frame (3).

STEP 2.

Carefully flip the base so the legs are in the air.

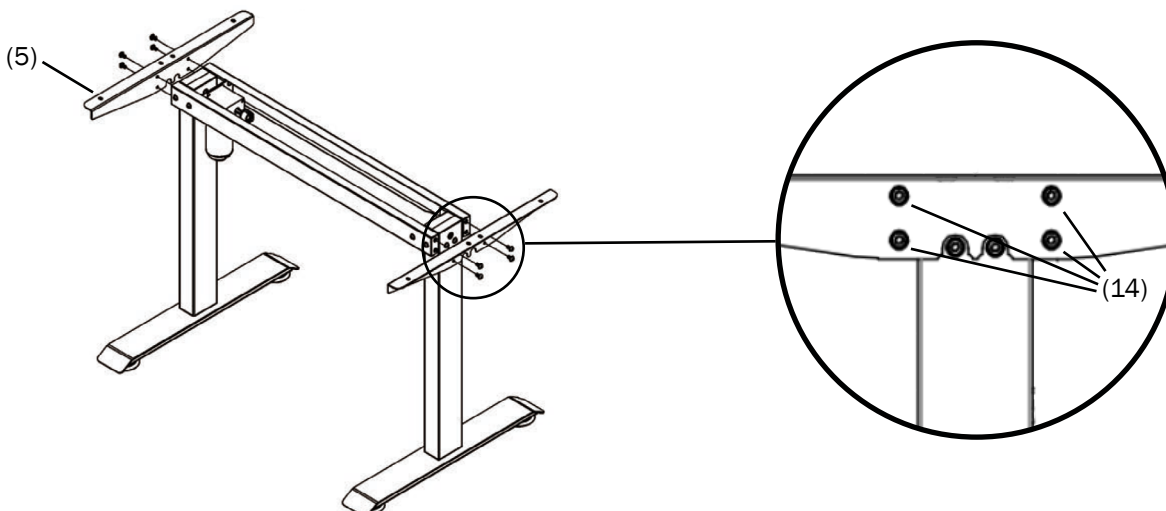
Align the holes in the feet (4) with the holes on the bottom of the legs and use the Allen Key to fasten 4 M6 Screws (14) on each foot.



STEP 3.

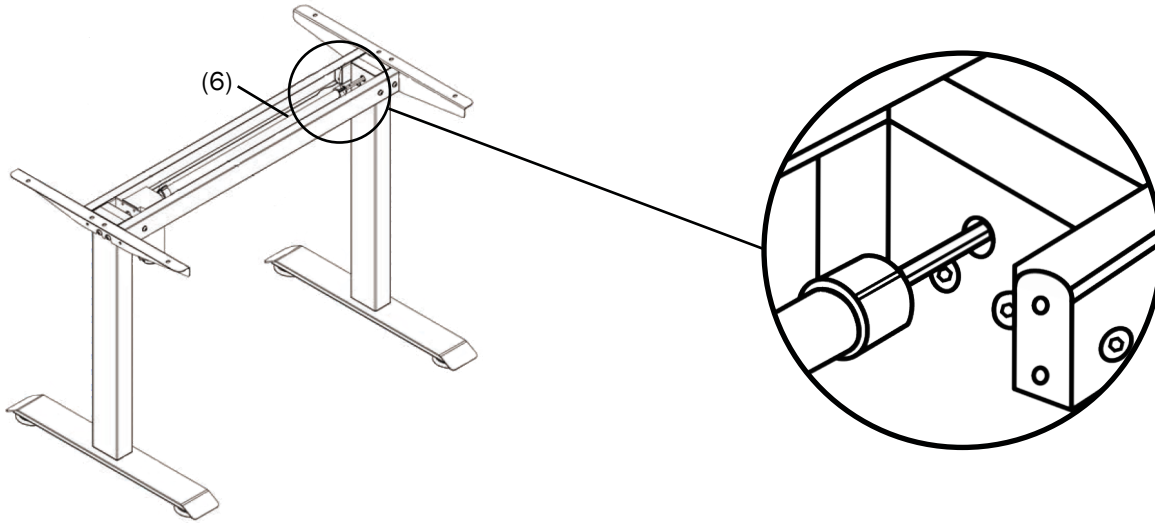
Carefully flip the base onto its feet and tighten the screws on the frame.

Line up holes on the side bracket (5) on the outside of the base with the arrow facing outward. Attach the pieces using 8 M6 Screws (14) and the Allen Key.



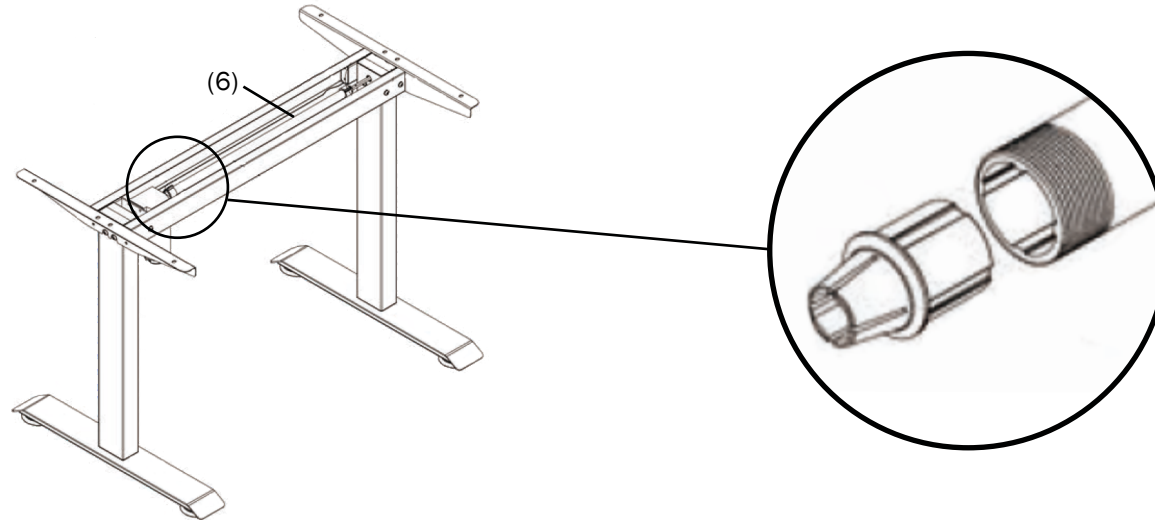
STEP 4.

Take the motor rod (6) and line up the hexagonal rod with the cog on the inside of Leg B.
*Note: If the pieces don't align, twist the motor rod anti clockwise until they align.



STEP 5.

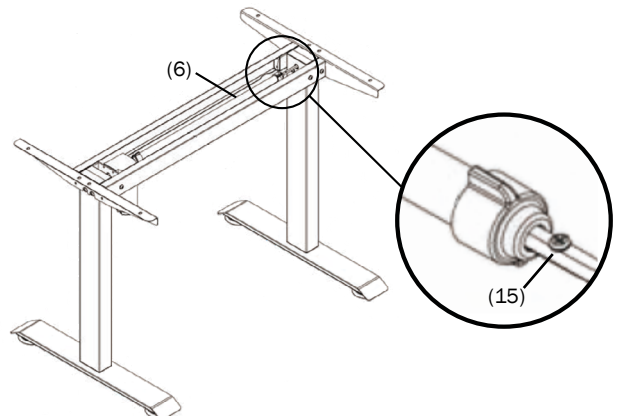
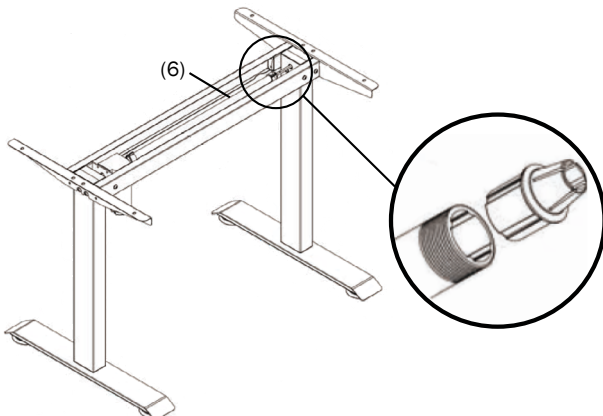
Line up the grooves on the piece on Leg A with the grooves on the inside of the motor rod. Push the pieces together and screw the cover onto the motor rod.



STEP 6.

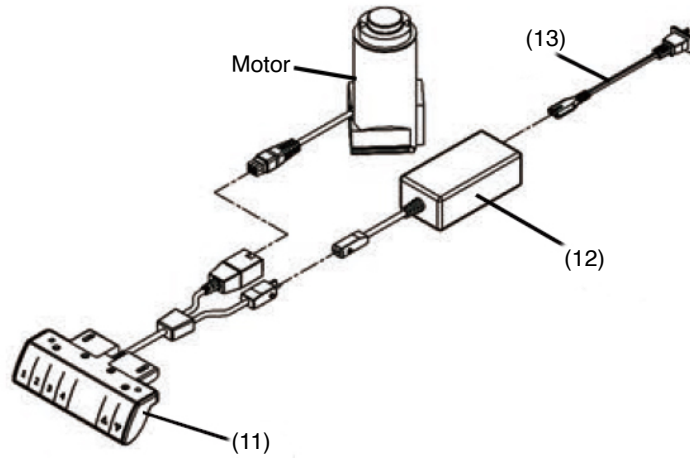
Align the grooves on the piece on Leg B with the grooves on the inside of the motor rod. Push the pieces together and screw the cover onto the motor rod.

Using the Screwdriver (10), tighten the M4 Screw (15) in the hole on the hexagonal rod.



STEP 7.

Attach the control panel (11) to the motor (on Leg A), power supply (12) and power cord (13).



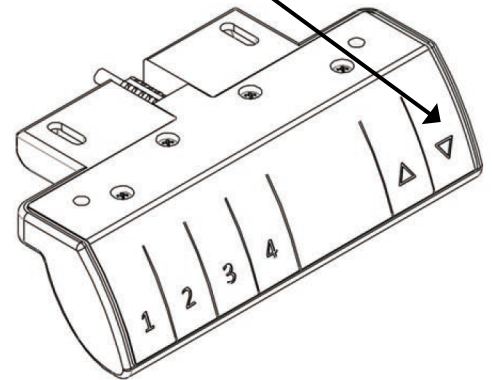
TESTING THE FRAME

Plug the power cord into a power source and press above the ▽ button for 3 seconds, until it beeps.

Hold down the ▲ button and ensure the base lifts to the top. 116 should be displayed on the control panel.

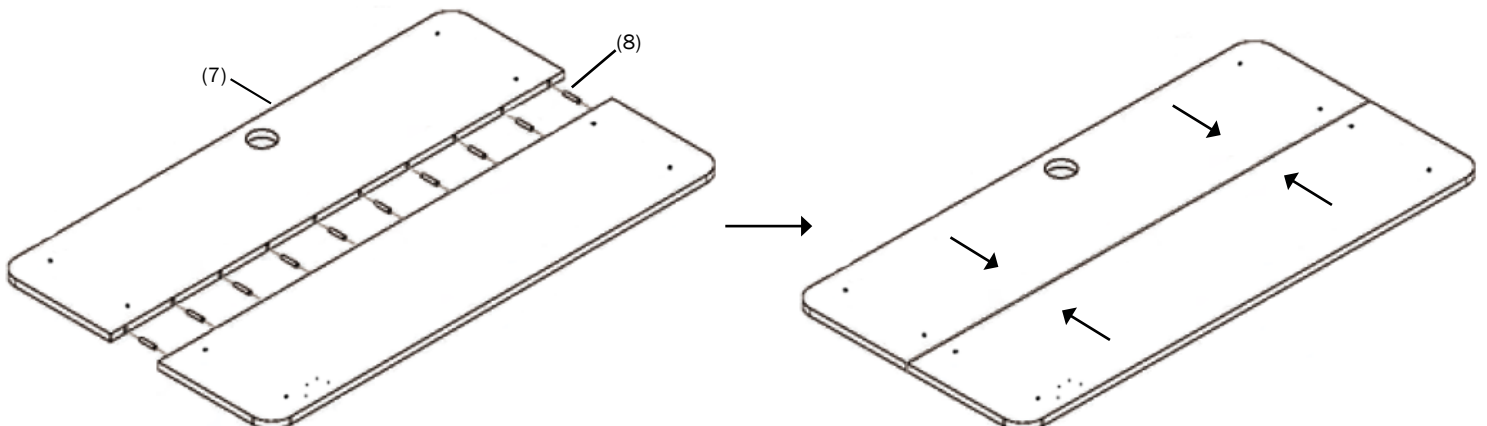
Hold the ▽ button and check the frame lowers to the bottom. 72 should be displayed on the control panel.

Turn off the power source and unplug everything from the motor.



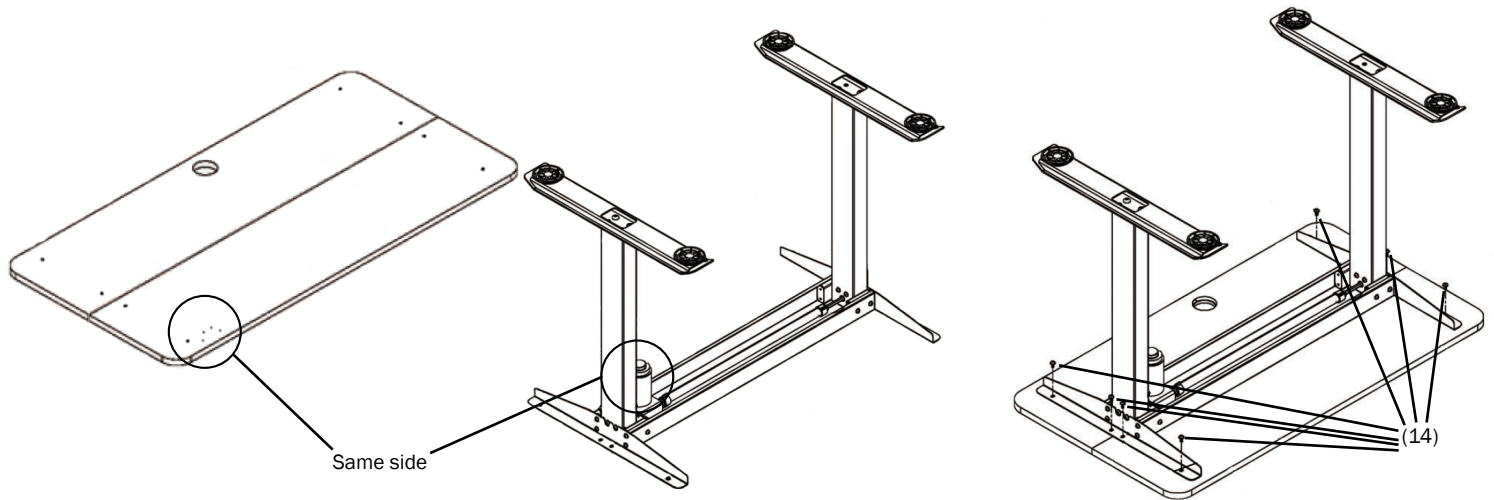
STEP 8.

Lay the two halves of the desk top (7) on a flat surface with the holes on the side facing towards each other and the pre-drilled holes on the surface. Push the 10 wooden dowels (8) into the holes in the desk top, align the dowels and the holes and push the two halves of the desk top together. Ensure the pieces are flush.



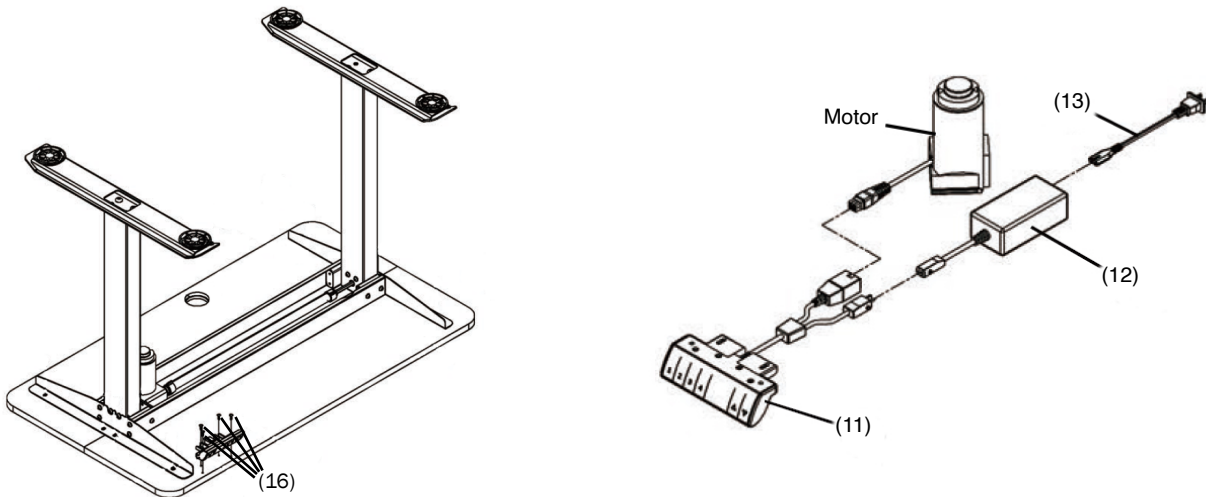
STEP 9.

Flip the base onto the frame so the feet are in the air. Check the motor is on the same side as the the 4 pre-drilled holes and lift the base onto the desk top. Align the holes in the frame with the holes in the desk top and use the Allen key and 8 M6 screws (14) to fasten the base to the desk top.



STEP 10.

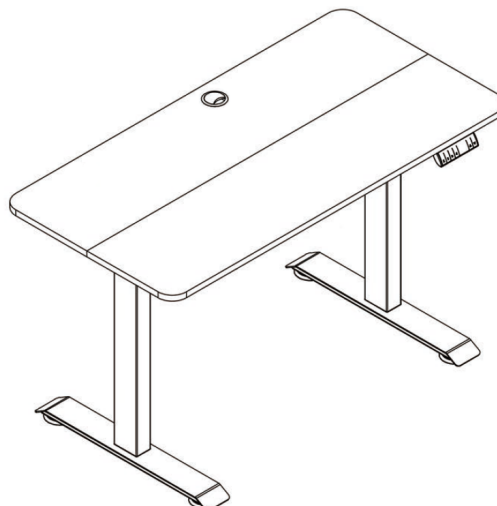
Using the 4 tapping screws (16) and supplied screwdriver (10) align the control panel with the pre-drilled holes and attach the control panel to the desk. Reconnect the control panel to the motor.



STEP 11.

Carefully lift the desk onto its feet and plug the power cord into a power source. Ensure the cable port (17) is pushed into the cutout hole.

Note: Cable management (18) can be attached to the bottom of the desk.



USING YOUR DESK

HEIGHT ADJUSTMENT

Press the  button to raise the desk. The height will be displayed on the controller.

Press the  button to lower the desk. The height will be displayed on the controller.

SET HEIGHT MEMORY

The desk has four numbered memory buttons to save your desired heights.


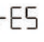
To save a height, press and hold either the  or  button to reach your desired height.

Hold down a numbered memory button for 2 seconds until the display flashes "H" followed by the corresponding key.

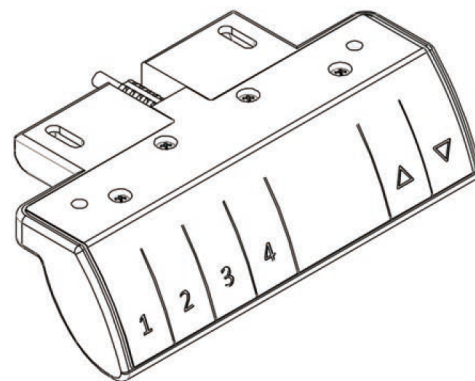
CALL HEIGHT MEMORY

Press any button to wake the controller. Press the numbered memory button associated with your preset desired height. The desk will lift to the preset height.

RESET

Lower the desk to the lowest point (72cm), then press the  button for 3 seconds. After the controller displays  the desk will lower to the bottom of the base and then lift to the lowest point (72cm). Return the desk to the desired height.

A reset will not affect the preset heights.



ERROR CODES

HOT	Overheating	Caused by continuous operation. Wait for at least 18 minutes before operating the desk again. The desk can be used at its current height.
E02	Anti-Collision System	The desk will automatically rebound after detecting an obstacle when adjusting the desk. Remove the item blocking the desk before attempting again.
E10	Motor Error	Turn power off and check the connection between the motor, power supply, power cord and controller (refer to step 7 on the Assembly Instructions). Reconnect the power.
E20	Overload	Turn power off and remove any heavy items on the desk. Reconnect the power.
E31	Under-voltage	Turn power off and check the connection between the motor, power supply, power cord and controller (refer to step 7 on the Assembly Instructions). Reconnect the power.
E32	Over-voltage	Turn power off and check the connection between the motor, power supply, power cord and controller (refer to step 7 on the Assembly Instructions). Reconnect the power.

JUNK DO NOT EXPORT

PART LIST

KEY	QTY	DESCRIPTION
1	1	Leg A
2	1	Leg B
3	2	Frame
4	2	Feet
5	2	Side Bracket
6	1	Motor Rod
7	2	Desk Top
8	10	Wooden Dowel
9	1	Cable Port
10	1	Allen Key
11	1	Screwdriver
12	1	Control Panel
13	1	Power Supply
14	1	Power Cord
15	32	M6 Screws
16	1	M4 Screw
17	4	Tapping Screws

CARE & MAINTENANCE

GENERAL CARE

To maintain the appearance of the product wipe the surface with a clean cloth dampened with a mild detergent solution.

Do not remove any parts for separate cleaning.

Do not saturate the product with water or other cleaning liquids.

Do not shampoo clean.

Do not clean with hot water extraction machine.

Do not clean with onsite drycleaning machine.

Protect from direct sunlight, heat and weather.

GUARANTEE

Please refer to www.buroseating.com for guarantee terms and conditions.

NEW ZEALAND

3 Donnor Place
Mount Wellington
Auckland 1060

AUSTRALIA

9/30 Florence Street
Teneriffe
Brisbane 4006

MANUFACTURED:

...../.....
MM YY

PREVENTATIVE MAINTENANCE & WARNING!

- Use this product only for seating one person at a time.
- Do not climb, sit or stand on this product.
- Do not place objects on the product when in motion.
- Do not use this product on uneven floor surface.
- Do not use product unless all bolts, screws and brackets are tight. At least every three months check all bolts, screws and brackets to ensure they are tight.
- Do not place the product in a humid environment.
- Do not place heavy objects on the table when in storage.
- If any parts are missing, broken, damaged or worn do not use the product until repairs are made using factory authorised parts.
- Dispose of packaging properly.
- Plastic bags used for packaging are not toys.
- Do not use plastic bag as a head covering as it may cause suffocation.
- Failure to follow these warnings could result in serious injury.

Assembly, Operating & Maintenance Instructions

MONDO LYPTA SIT STAND DESK



CONTENTS

Assembly Instructions		
Operating Instructions		
Maintenance Instructions		